



Screw terminal with cap



Terminal element with practical M12 connection socket in base



Direct triggering of the signal tower elements via USB Interface

- Bayonet locking mechanism enables quick and easy assembly of the signal tower
- The ideal solution for every installation

i TECHNICAL SPECIFICATIONS:

Dimensions (Ø x Height):	See below	
Housing:	Terminal element: PA fibreglass, high-impact Cap: PC	
Fixing:	Base mounting Tube mounting, for tube Ø 25 mm Bracket mounting (accessory)	
Cable entry:	Cable diameter max. 14 mm	
Element seal:	Pre-mounted with each module	
Protection rating:	IP 65	
Number of modules possible:	Max. 5	

	<u>Tube mounting</u>	<u>Base mounting</u>
Screw terminal		
Dimensions (Ø x Height):	70 mm x 42,5 mm	70 mm x 42,5 mm
Connection:	Screw terminal max. 2,5 mm ²	
Voltage:	12-240 V AC/DC	12-240 V AC/DC
	Incl. cap	Incl. cap and seal

CAGE CLAMP® technology
(see picture page 44)

Dimensions (Ø x Height):	70 mm x 42,5 mm	70 mm x 42,5 mm
Connection:	CAGE CLAMP® technology max. 2,5 mm ²	
Voltage:	12-240 V AC/DC	12-240 V AC/DC
	Incl. cap	Incl. cap and seal

NEW Terminal element M12

Dimensions (Ø x Height):	70 mm x 56 mm	70 mm x 50 mm
Connection:	M12 connector (8 pole)	
Voltage:	12-24 V DC	12-24 V DC
Current carrying capacity:	≤ 2 A	≤ 2 A
	Incl. cap	Incl. cap and seal
	No UL approval	No UL approval

Terminal element with USB Interface

Dimensions (Ø x Height):	No UL approval	-
Fixing:	70 mm x 36 mm	
Connection:	Tube mounting (accessory) Via USB	
Voltage:	Terminal element: Via USB (5 V DC)	
Voltage:	24 V DC	
Current carrying cap. Σ I _{max} :	90 mA at 24 V	
Assembly:	Assembly includes installation software, drivers, handbook and USB connection cable (length 1.8 m)	
Suitable for:	Windows 2000 service pack 4, Windows XP, Windows Vista or Windows 7. Also for Windows Server und Windows CE operating systems	

- Direct triggering of signal tower elements via USB Interface
- Actuation via DLL (Dynamic Link Library) or VCP (Virtual-COM-Port)
- Simple integration into any customer-specific software
- No additional power supply or Hardware necessary
- Up to five signal towers with a maximum of five elements each can be connected

ORDER SPECIFICATIONS: see next page

640 8X0 00
x = 0,1,2,3

See note on page 347

24 V



ORDER SPECIFICATIONS:

	Tube mounting	Base mounting
Screw terminal	640 830 00	640 820 00
CAGE CLAMP®	640 810 00	640 800 00
NEW Terminal element M12	640 860 55	640 850 55
Terminal element with USB interface	640 840 00	-

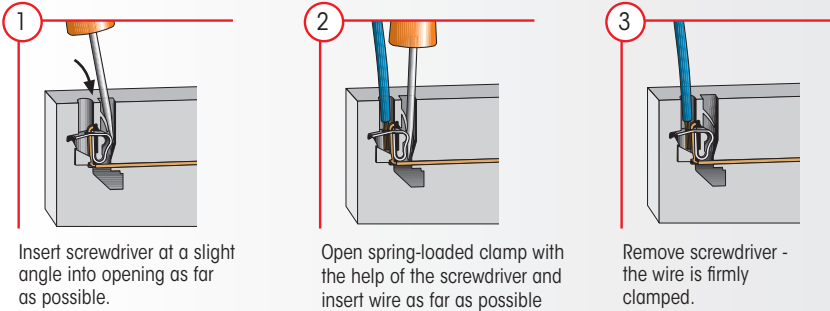
ACCESSORIES:

Base with integrated tube	975 840 10
Base for tube (metal)	975 840 91
Tube Ø 25 mm, Aluminium eloxiert	
100 mm long	975 845 10
250 mm long	975 840 25
400 mm long	975 840 40
600 mm long	975 840 60
800 mm long	975 840 80
1000 mm long	975 840 03

Suitable accessories can be found on page 67.

ADDITIONAL INFORMATION:

Terminal elements with CAGE CLAMP® technology enable leads to be quickly and easily wired, guaranteeing a secure and reliable contact.



CAGE CLAMP® is a registered trademark of WAGO Kontakttechnik GmbH.

TECHNICAL DIAGRAMS:

see page 308

See note on page 347

